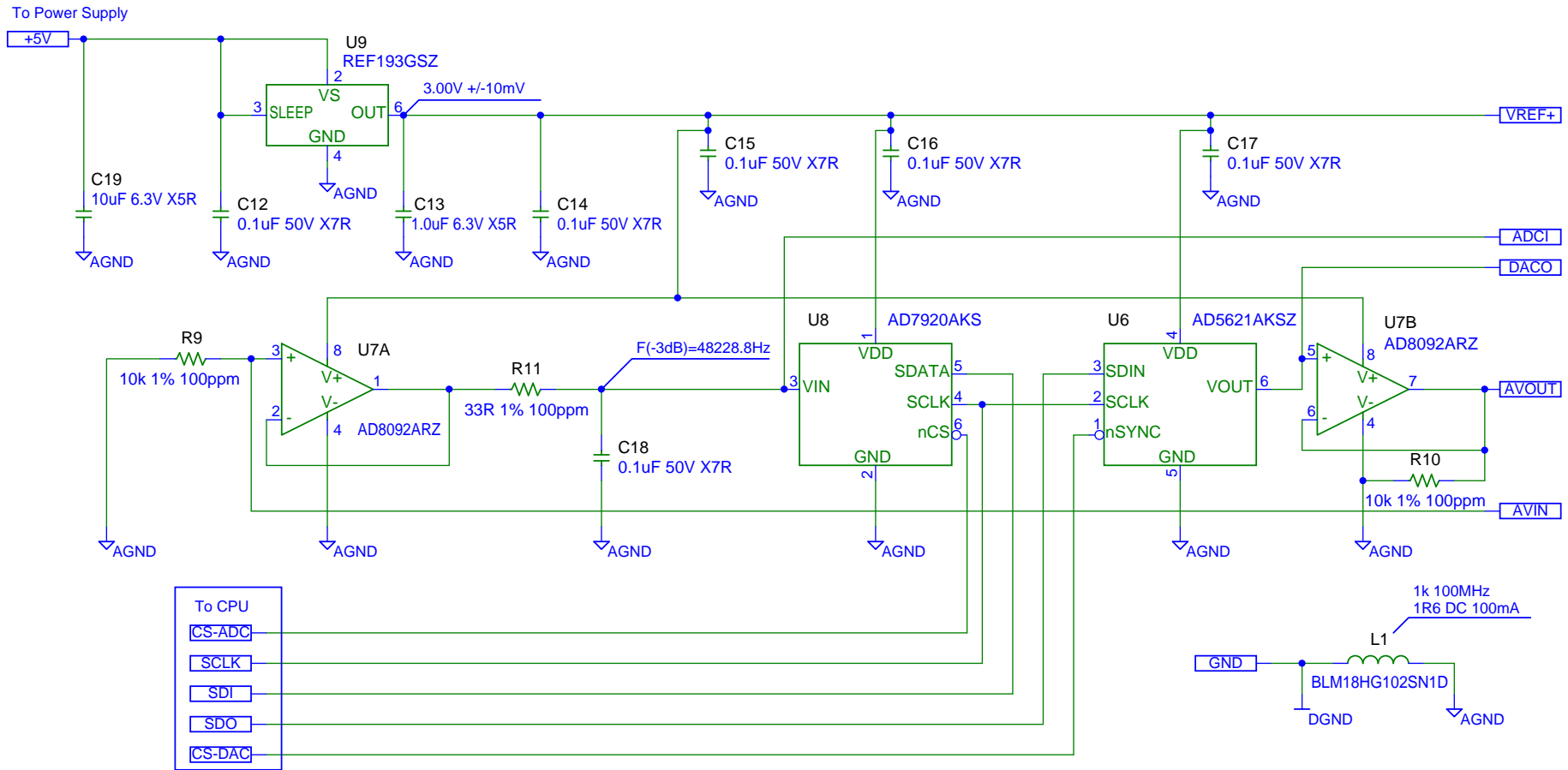
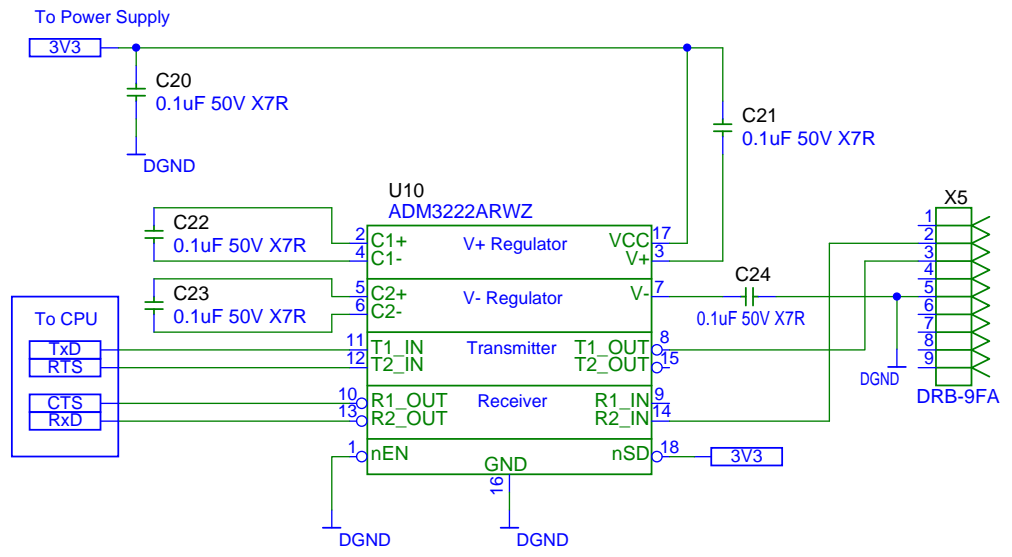
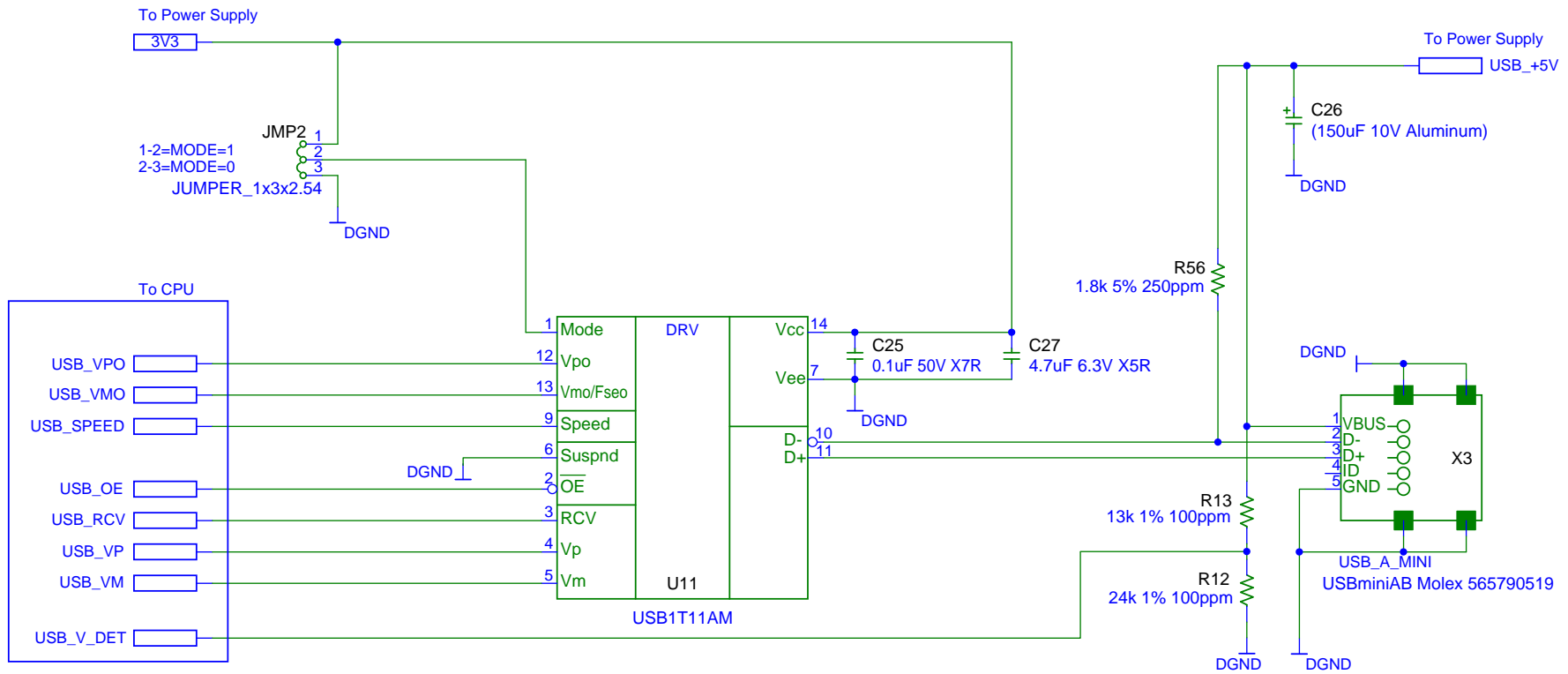


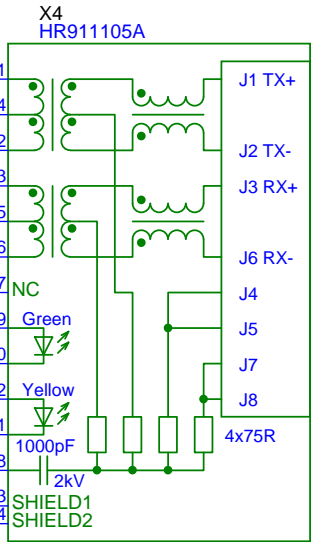
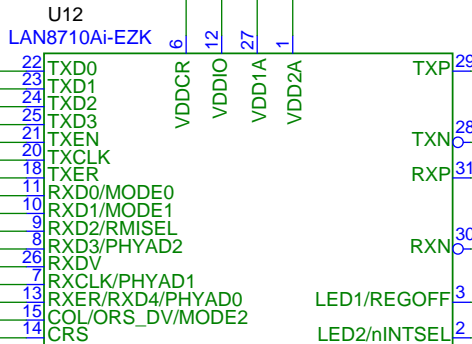
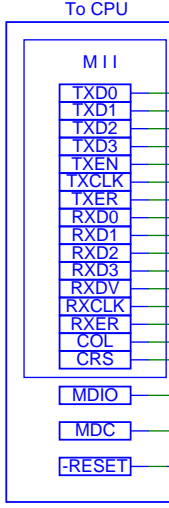
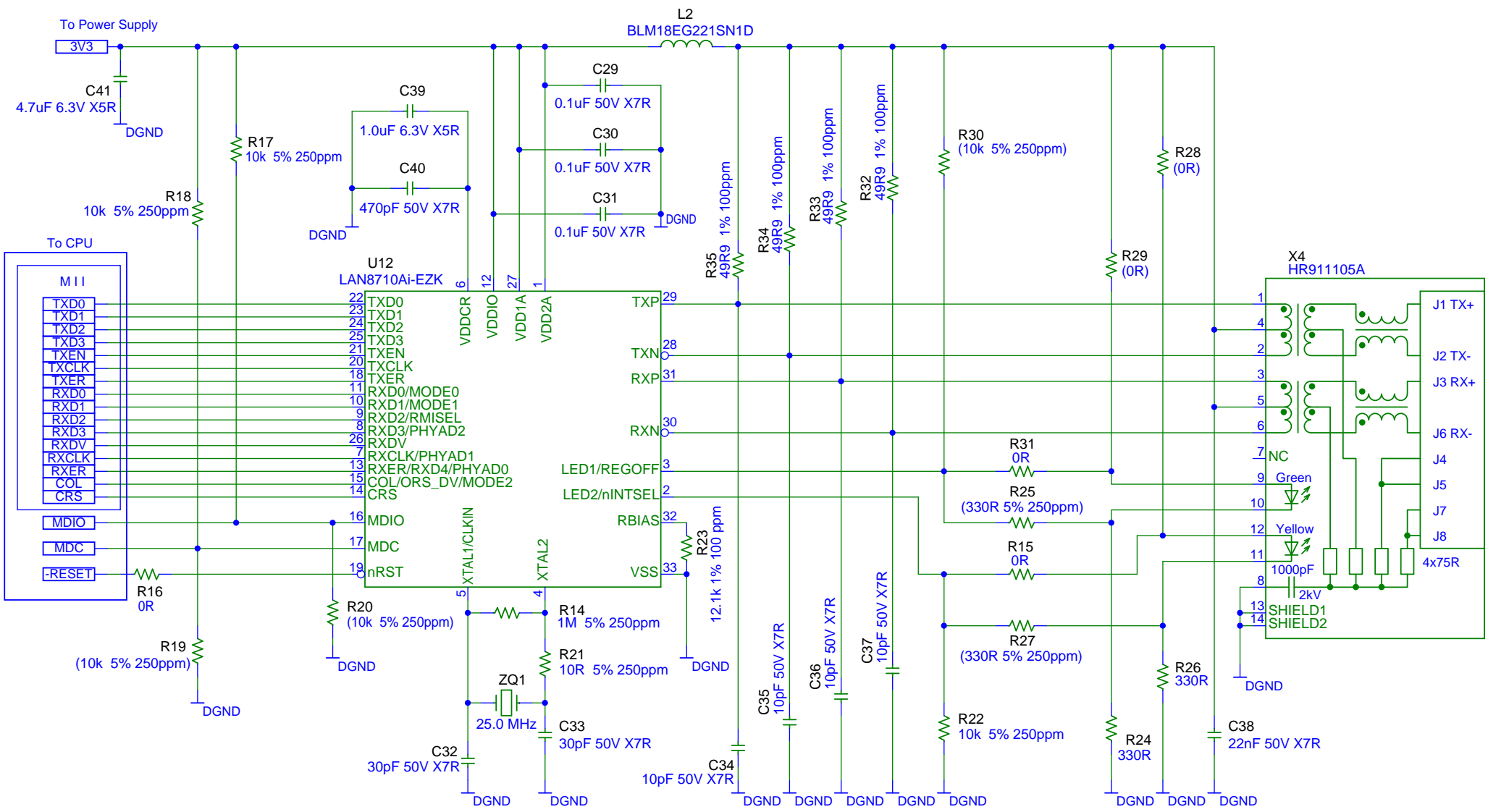
Power up sequence:
 +5V - immediately
 +1.8V - 900us
 +3.3V - 270us after +1.8V

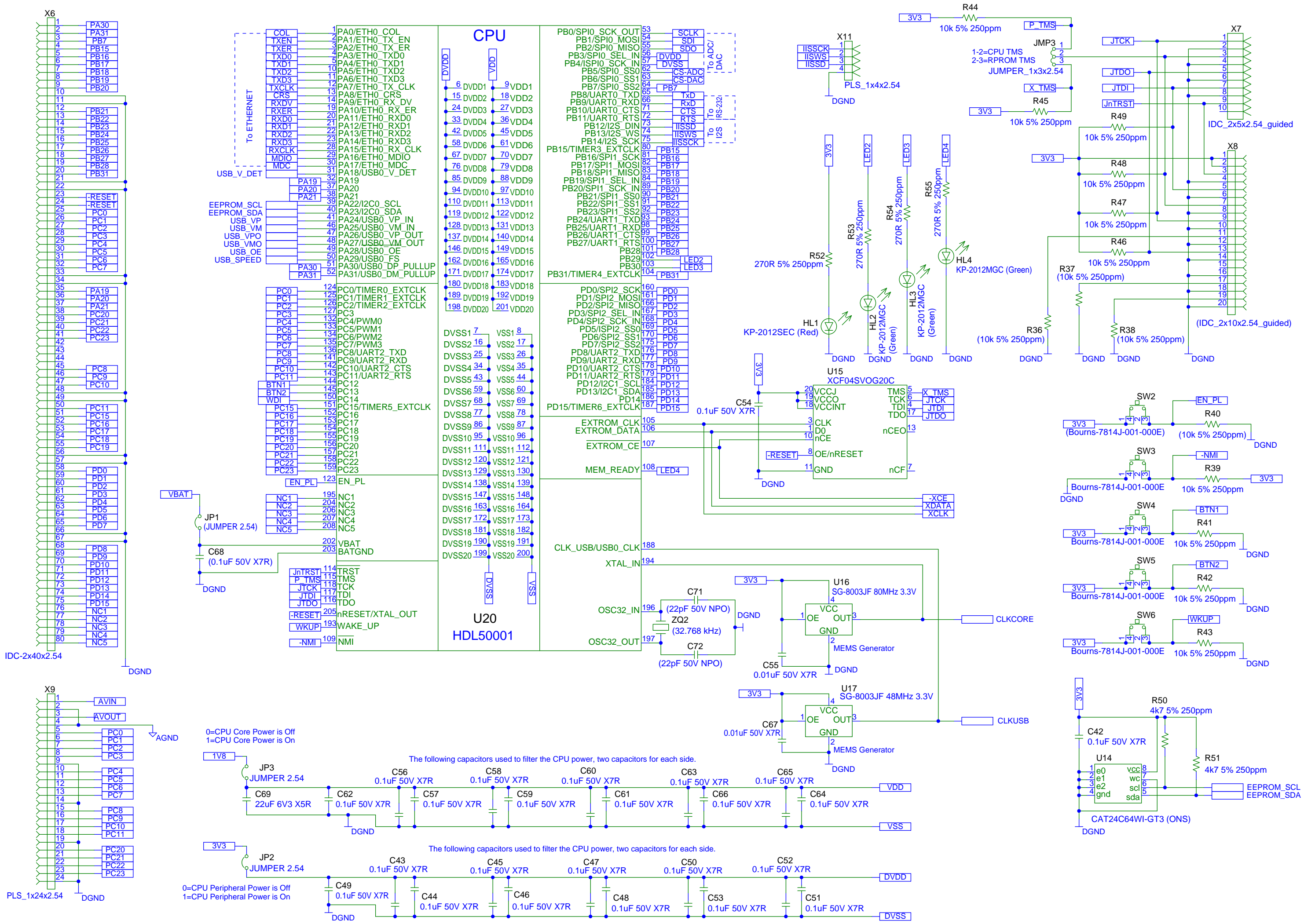
OUT: 1.8V 600mA (max)
 IN: 5V 270mA (max)











IDC-2x40x2.54

PLS_1x24x2.54

0=CPU Core Power is Off
1=CPU Core Power is On

0=CPU Peripheral Power is Off
1=CPU Peripheral Power is On

The following capacitors used to filter the CPU power, two capacitors for each side.

The following capacitors used to filter the CPU power, two capacitors for each side.

CAT24C64WI-GT3 (ONS)

